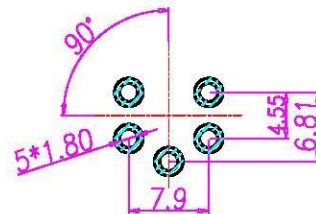
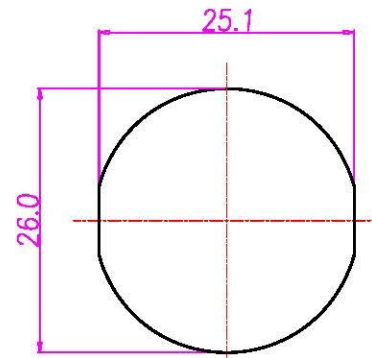
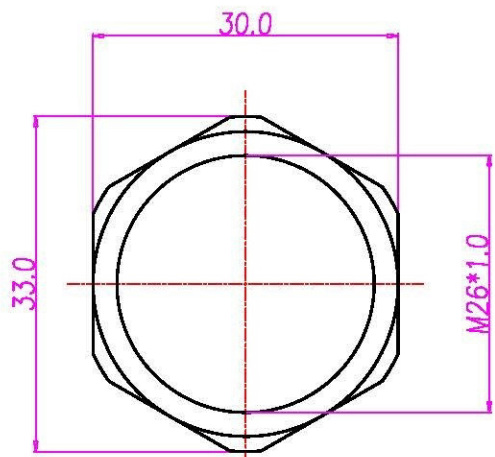
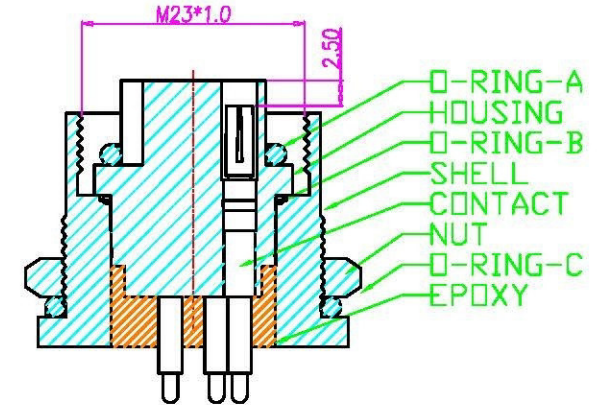
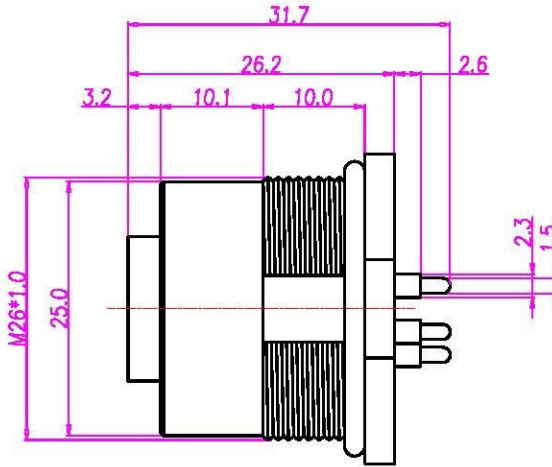
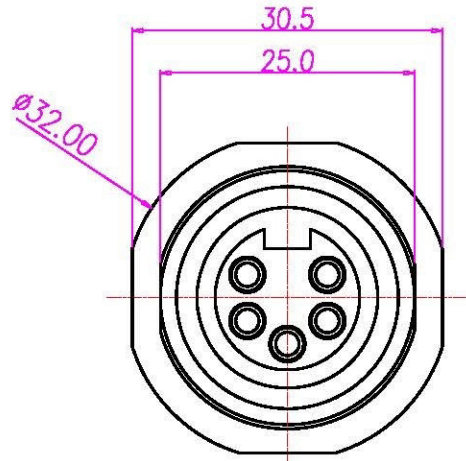


This document is the property of Nan-Yeong Corporation and is delivered on the express condition that it is not to be disclosed, reproduced or used, in whole or in part, for manufacture or sale by anyone other than Nan-Yeong Corporation without its prior consent, and that no right is granted to disclose or to use any information in this document.

CUSTOMER DRAWING

REV.	DESCRIPTION	APPROVED BY	DATE	ECN NO.
A	RELEASE	Fido Veng	04/03/10*	
B	CHANGE & DIN	Fido Veng	29/12/10*	ECN11001
C				



NUT

RECOMMEND PANEL CUT-OUT

RECOMMEND P.C.B LAYOUT

- MATERIAL :
 - 1-1. HOUSING : PBT UL94V-0 ; COLOR : YELLOW
 - 1-2. CONTACT : BRASS
 - 1-3. SHELL : ALUMINUM
 - 1-4. NUT : ALUMINUM
 - 1-5. O-RING-A :NBR; COLOR : BLACK
 - 1-6. O-RING-B :NBR; COLOR : BLACK
 - 1-7. O-RING-C :NBR; COLOR : BLACK
 - 1-8. Epoxy Base :EF400A&EF400B.COLOR:BLACK
- FINISH :
 - 2-1. CONTACT : 30 MICRO INCHES MIN. GOLD PLATED
 - 2-2. SHELL : NICKEL PLATED OVER ALL
 - 2-3. NUT : NICKEL PLATED OVER ALL
- ELECTRICAL SPECIFICATION :
 - 3-1. Rated current : 20A
 - 3-2. Rated oltage :125V
 - 3-3. Water proof: IPX7
- Environmental :
 - 4-1. Operation Temperature : -20 ℃~85℃

DRAWN	Ku Chou	APP'D	Enly Suen	UNIT	mm	TOLERANCE			TITLE 0404 M23 5PIN(F)	SHEET 	
CHK'D	Enly Suen			SCALE	1:1	.x ±0.20 .xx ±0.10 .xxx ±0.05 .xxxx ±0.03 ANGULA ±1°					www.allconnectors.us TEL:20194711100-049 79794 Filder Road, Germany